

4' x 8' RGB LED Illuminated Wall Fixture MRI Compatible



Product Description

The LED Illuminated Wall Fixture is designed for MRI suite applications. It is a non-ferrous assembly which can be mounted within the MRI room. It is pre-engineered with easy installation textured lenses and can have applied artwork image graphics. Contains no on-board electronics therefore will not interfere with MRI imaging. Certified to meet MRI vendor EMI requirements. MRI applications require EMI free emissions for specific frequency bands. All drive circuitry employs linear regulation and no pulse width modulation (PWM*).

Mechanical		
	Typical	Units
Installation	Direct Wall Attachment Tabs	-
Dimensions (Fixture)	88.5" x 46.5"	inches
Dimensions (Trim)	90" x 48"	inches
Drywall Rough Opening	89" x 47"	inches
Fixture Weight	168	lbs

Properties		
Lens	Uniform LED Light Diffusing Polymer	-
Housing	Welded Aluminum Construction	-
Trim	Laminated	-

Electrical				
	Minimum	Typical	Maximum	Units
Input Voltage	-	12	-	Vdc
Input Current	-	13.25	-	A
Input Power	-	160	-	W
BTU	-	546	-	BTU/hr

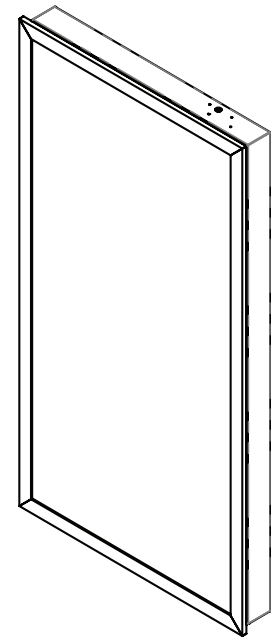
Compliance				
	Minimum	Typical	Maximum	Units
IP	25	-	-	Dry Location
Regulatory Safety	-	Listed	-	UL 2108 CSA C22.2 #250.0
RoHS	-	Pending	-	2011/65/EU

Environmental				
	Minimum	Typical	Maximum	Units
Storage Temperature	-40	25	85	C
Operating Temperature	-20	25	-	C
Humidity	5	-	95	%
Lifespan	50000	-	-	Hours
Warranty	-	5	-	Years

Photometric Data per RGB LED Light Strip (16 per Wall Fixture)				
	Minimum	Typical	Maximum	Units
Luminous Intensity (Red)/LED	400	-	-	mcd
Luminous Intensity (Green)/LED	900	-	-	mcd
Luminous Intensity (Blue)/LED	300	-	-	mcd
Wavelength (Red)	-	620	-	nm
Wavelength (Green)	-	520	-	nm
Wavelength (Blue)	-	460	-	nm
Viewing Angle	-	120	-	deg

Installation Notes	
A RF Filter is required for proper operation in the MRI suite	
A Power Supply is required for proper operation in the MRI suite	
*PWM is known to cause image artifacts, audible noise and light flicker	

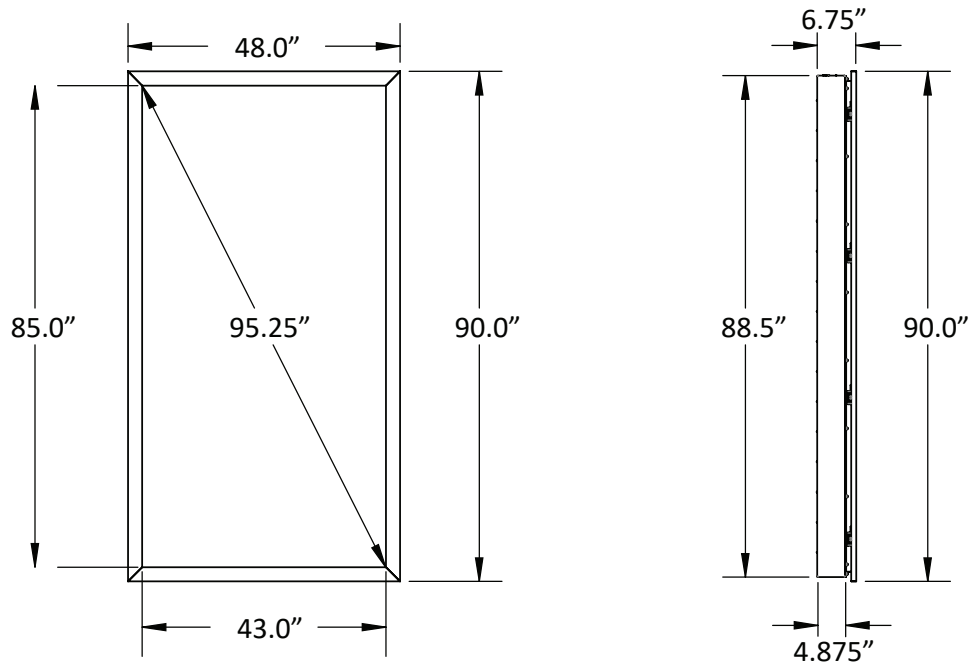
- 1-07-000141 - Left Bamboo
- 1-07-000142 - Right Bamboo
- 1-07-000013 - Left Blossom
- 1-07-000140 - Right Blossom
- 1-07-000411 - Blank Lens



PDC Specification Submittal	
Job Name:	
Job Number:	
Model Numbers:	Fixture Type:



Mechanical Diagram



Lens Options

1-07-000141 - Left Bamboo



1-07-000142 - Right Bamboo



1-07-000013 - Left Blossoms



1-07-000140 - Right Blossoms

