

RF Filter Pack



Product Description

The RF Filter Pack has a very high self-resonant frequency with self-healing dielectric designed specifically for MR Suite applications. Its small compact design allows for filtering of one Video display, PVD or Camera with audio channels with a single shield penetration, greatly freeing up space.

Mechanical				
	Minimum	Typical	Maximum	Units
Flange Dimensions	-	5.20 x 6.77	-	inches
Rough Opening	-	3.125 x 4.25	-	inches
Product Weight	-	-	< 3	lbs
Enclosure	-	NEMA/EEMA Type 1	-	-
Construction	-	Welded Aluminum/ Stainless Steel	-	-

Electrical Inputs

	Minimum	Typical	Maximum	Units
Input Voltage	-	-	50	Vdc
Input Current / Barrel	-	-	16	A
Speaker Voltage	-	-	100	Vdc
Speaker Current	-	-	10	A

Inputs / Outputs

	Connection
Video Display / PVD/ Camera	Fiber Optic ST, DC Wire

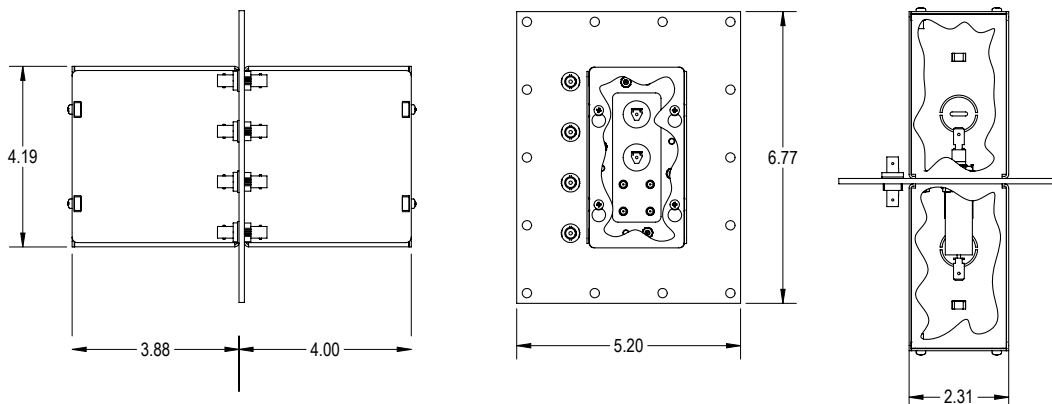
Compliance

	Minimum	Typical	Maximum	Units
Regulatory Safety	-	Listed	-	UL 62368 CSA 22.2#62386-1 IEC 62368-1
CE	-	Pending	-	-
RoHS	-	Compliant	-	2011/65/EU 2015/863

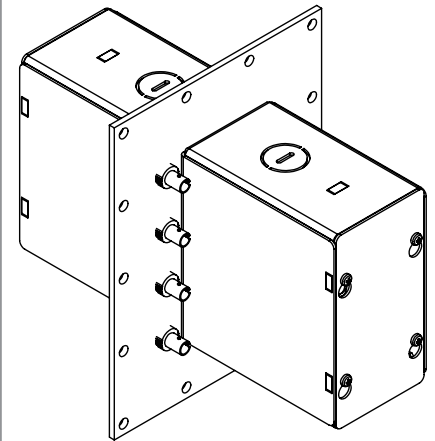
Environmental

	Minimum	Typical	Maximum	Units
Operating Temperature	0	25	40	C
Humidity	20	-	80	%
Warranty	3	-	-	Years

Mechanical Diagram



1-01-000048



PDC Specification Submittal

Job Name:	
Job Number:	
Model Numbers:	Fixture Type: