

# RF Filter Pack



## Product Description

The RF Filter Pack has a very high self-resonant frequency with self-healing dielectric designed specifically for MR Suite applications. Its small compact design allows for 20 filtered connection points for up to 240V AC or DC with a single shield penetration, greatly freeing up space.

Mechanical				
	Minimum	Typical	Maximum	Units
Flange Dimensions	-	14.5 x 14.5	-	inches
Rough Opening	-	11.5 x 11.5	-	inches
Product Weight	-	TBD	-	lbs
Enclosure	-	NEMA/EEMAC Type 1	-	-
Construction	-	Welded Aluminum/ Stainless Steel	-	-

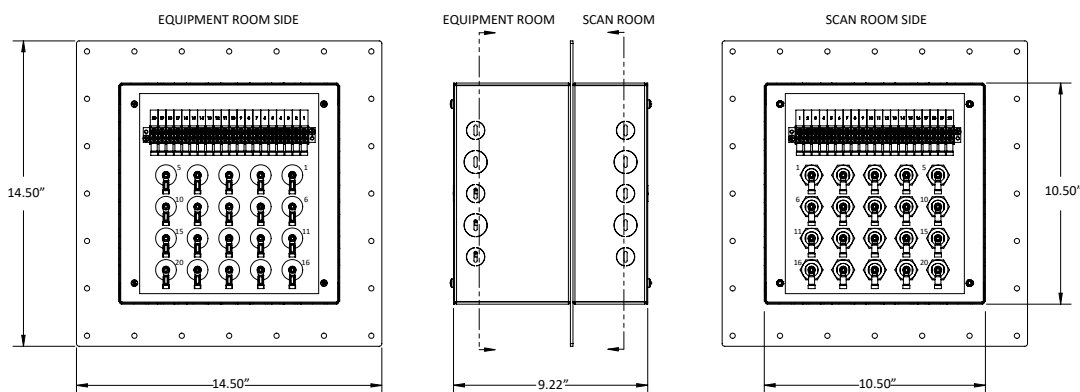
Electrical Inputs				
	Minimum	Typical	Maximum	Units
Input Voltage	-	-	240	Vdc/Vac
Input Current / Pin	-	-	30	A

Inputs / Outputs	
Accessory	Connection Screw Terminal

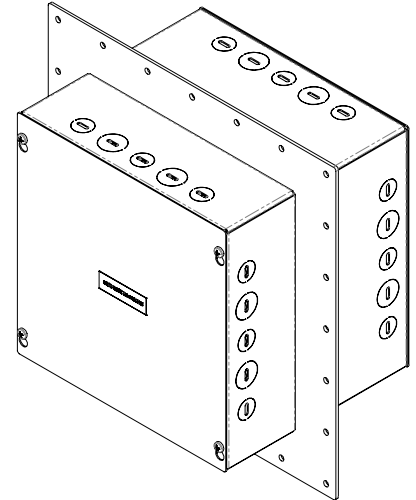
Compliance				
	Minimum	Typical	Maximum	Units
Regulatory Safety	-	Listed	-	UL 62368 CSA 22.2#62386-1 IEC 62368-1
CE	-	Pending	-	-
RoHS	-	Pending	-	2011/65/EU

Environmental				
	Minimum	Typical	Maximum	Units
Operating Temperature	0	25	40	C
Humidity	20	-	80	%
Warranty	3	-	-	Years

## Mechanical Diagram



1-01-000027



## PDC Specification Submittal

Job Name:	
Job Number:	
Model Numbers:	Fixture Type:

