

RF Filter Pack



Product Description

The RF Filter Pack has a very high self-resonant frequency with self-healing dielectric designed specifically for MR Suite applications. Its small compact design allows for up to 12 channels for can lights and one set of RGB lights with a single shield penetration, greatly freeing up space.

Mechanical	Minimum	Typical	Maximum	Units
Flange Dimensions	-	13.0 x 13.0	-	inches
Rough Opening	-	10.5 x 10.5	-	inches
Product Weight	-	TBD	-	lbs
Construction	-	Welded Aluminum/ Stainless Steel	-	-

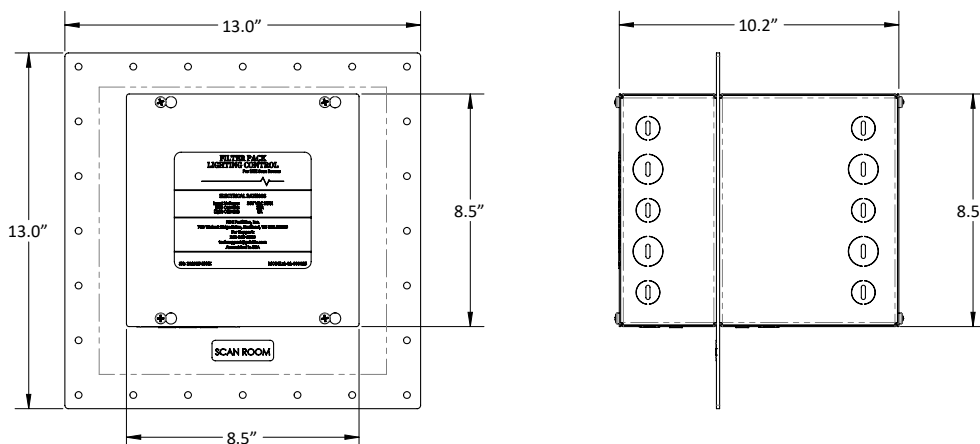
Electrical Inputs - Barrel Filter	Minimum	Typical	Maximum	Units
Input Voltage	50	-	100	Vdc
Input Current	-	-	30	A

Inputs / Outputs	Connection
12 Channel Lights	Cat 6
RGB (6 wires)	Flying Leads
Accessory	Flying Leads

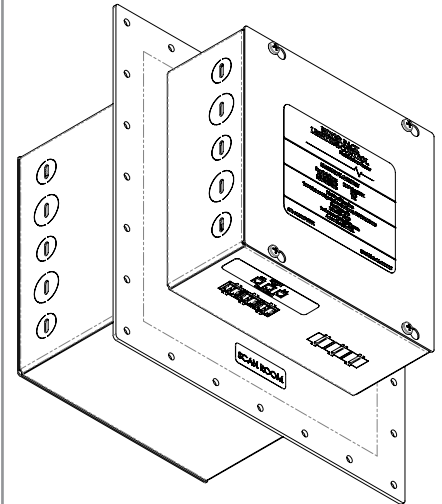
Compliance	Minimum	Typical	Maximum	Units
Regulatory Safety	-	Listed	-	UL 62368 CSA 22.2#62386-1 IEC 62368-1
CE	-	Pending	-	-
RoHS	-	Pending	-	2011/65/EU

Environmental	Minimum	Typical	Maximum	Units
Operating Temperature	0	25	40	C
Humidity	20	-	80	%
Warranty	3	-	-	Years

Mechanical Diagram



1-01-000025



PDC Specification Submittal

Job Name:	
Job Number:	
Model Numbers:	Fixture Type:

