

Installation Guide

SKLT - Perfect Sky LED Luminaire Non-MRI Applications



Important Safety Instructions

When using electrical equipment, basic safety precautions should always be followed including the following:

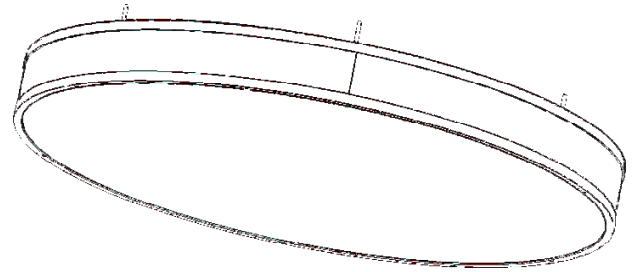
Read And Follow All Safety Instructions

1. **Warning:** This luminaire must be installed in accordance with the NEC or your local electrical code. If you are not familiar with these codes and requirements, consult a qualified electrician. *Attention: Ce luminaire doit être installé conformément au NEC ou à votre code électrique local. Si vous n'êtes pas familier avec ces codes et exigences, consultez un électricien qualifié.*
2. **Warning:** This equipment is not for use in hazardous combustible atmospheres as defined by the National Electrical Code. *Avertissement: Cet équipement ne doit pas être utilisé dans des atmosphères combustibles dangereuses telles que définies par le National Electrical Code.*
3. **Danger:** Risk of shock - Disconnect power before installation. *Danger: Risque de choc – Couper l'alimentation avant l'installation.*
4. Do not install insulation within 76 mm (3 in) of any part of the luminaire. *Ne pas mettre l'isolant à moins de 76 mm (3 po) de toute partie du luminaire.*
5. Dry locations only. *Pour emplacements secs seulement*

Save These Instructions For Future Reference

1-07-000208 - Touch Pad Controlled

1-07-000259 - Tablet Controlled



Installation:

Note: The SKLT Luminaire should be supported independently of the ceiling grid. Ensure the intended mounting surface is capable of supporting the weight of the luminaire which can weigh up to 95 - 100 lbs.

Step 1:

Turn off the power supply.

Step 2:

The SKLT Luminaire can be installed using the supplied threaded rods or cable capable of supporting the weight of the luminaire.

Step 3:

There are 6 mounting holes located in the main beams on the back side of the luminaire. See **Diagram 1**. If mounting with cable, secure to the 6 mounting holes and then secure to the intended mounting surface ensuring the luminaire is level.

Step 4:

If using threaded rod to mount the luminaire ensure the 6 rods are appropriate length and size to securely mount the luminaire. See **Diagram 2**.

Step 5:

Using the supplied hardware, secure the rods to the 6 mounting holes as shown in **Diagram 3**. Then secure to the intended mounting surface ensuring the luminaire is level.

Step 6:

Wire the luminaire(s) per the **Electrical Connections** section. Verify the part number before making connections and be sure to follow the correct wiring diagram illustrated below.

Step 7:

Turn on the power supply.

Diagram 1 - Threaded Rod Placement

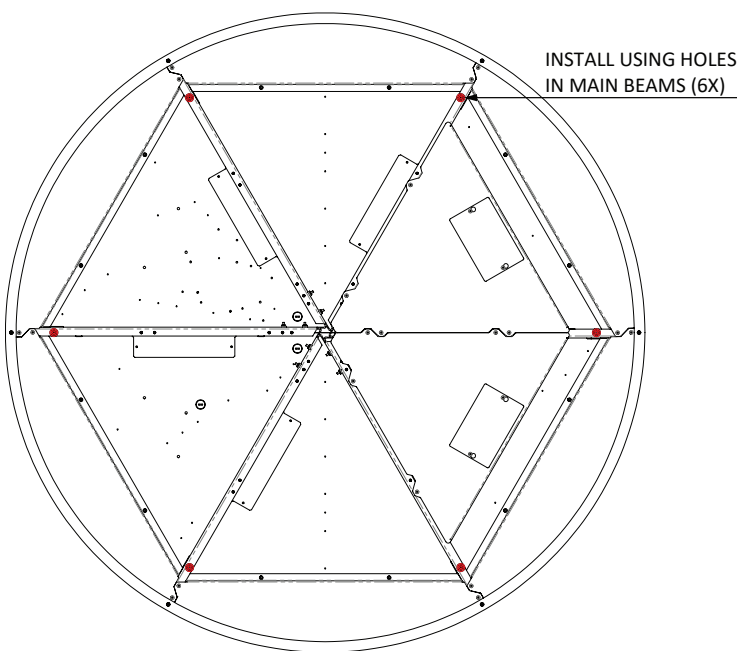


Diagram 2 - Threaded Rod Mount

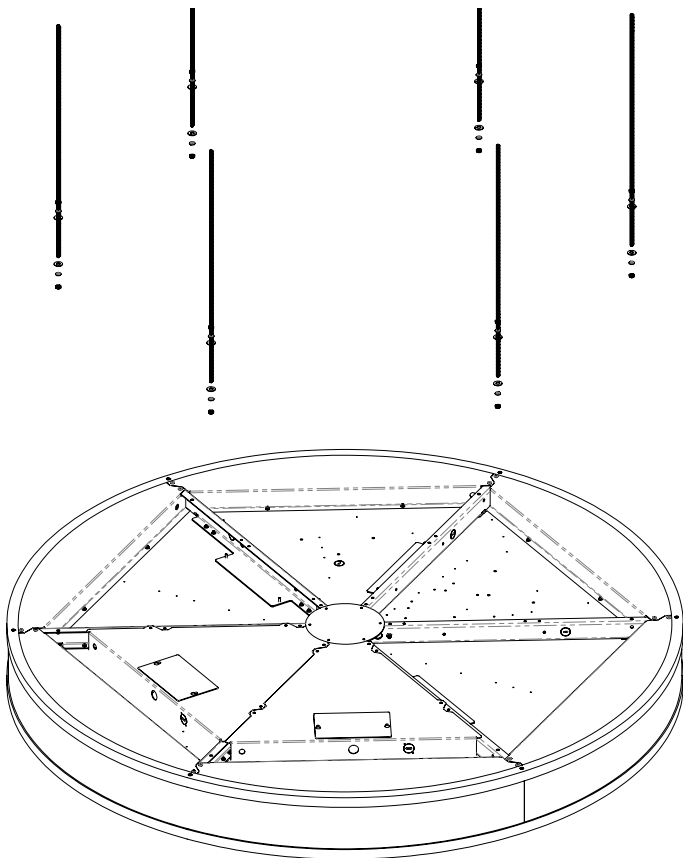
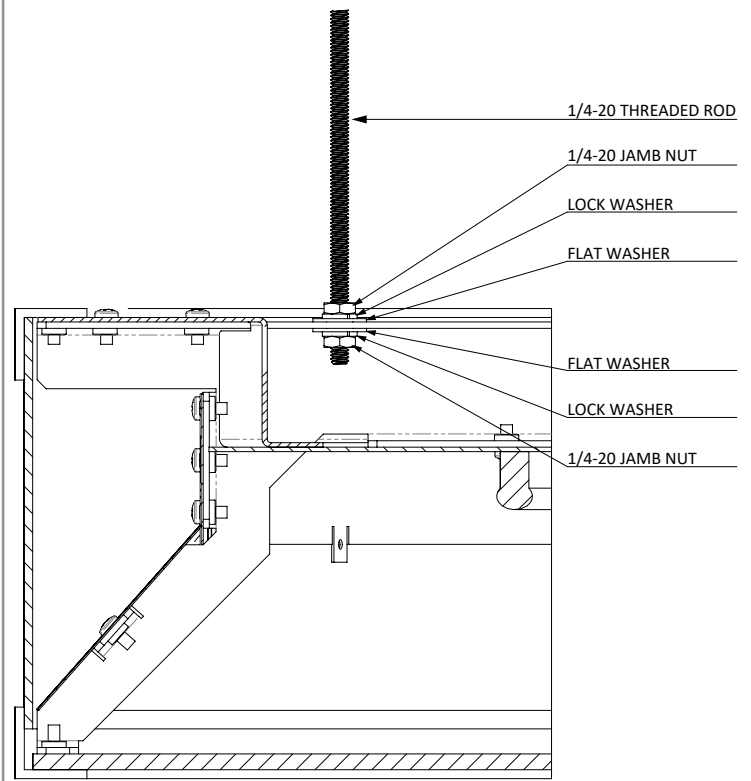


Diagram 3 - Threaded Rod Mount Detail

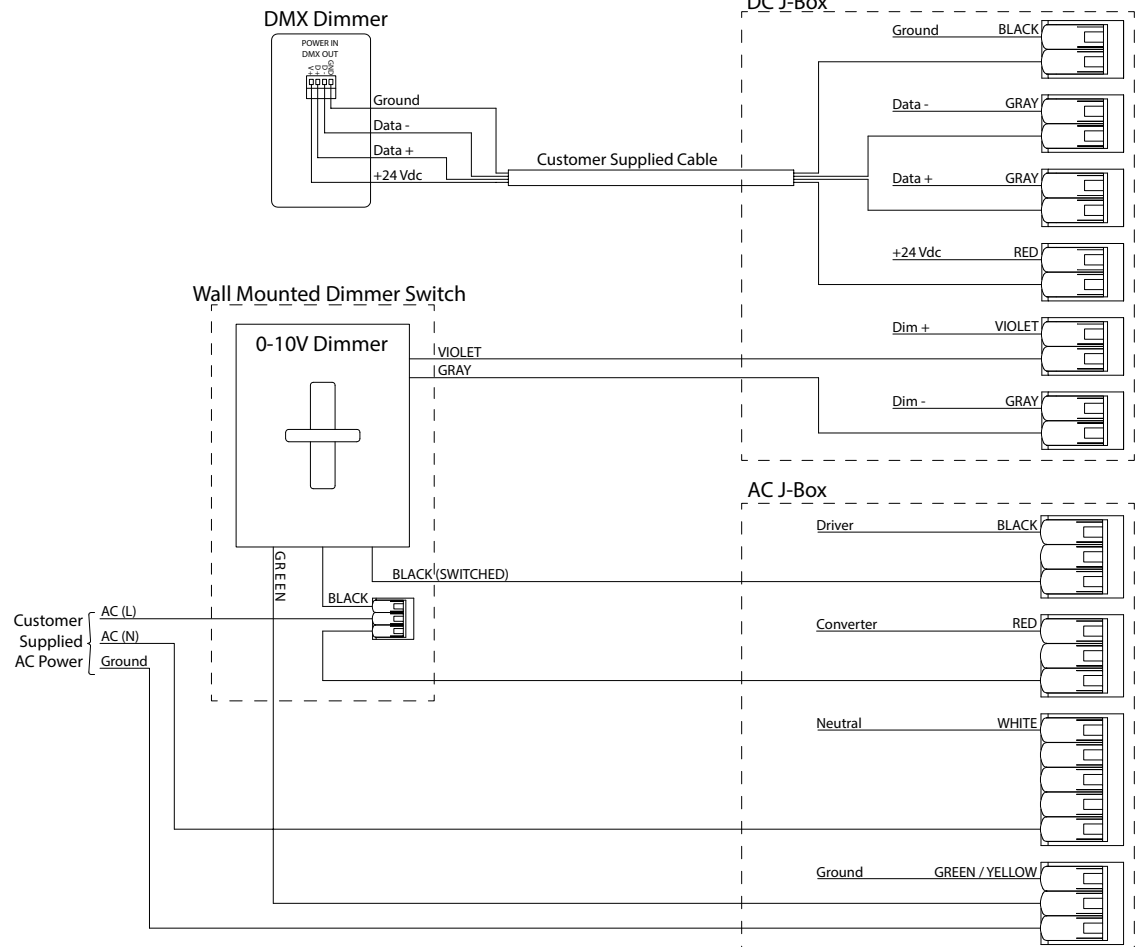


Electrical Connections - 1-07-000208:

Step 1:
Remove the Junction Box cover.

Step 2:
Using 90°C minimum rated wire connectors, make the following connections illustrated in Diagram 4.

Diagram 4 - Wiring Diagram



Electrical Connections - 1-07-000259:

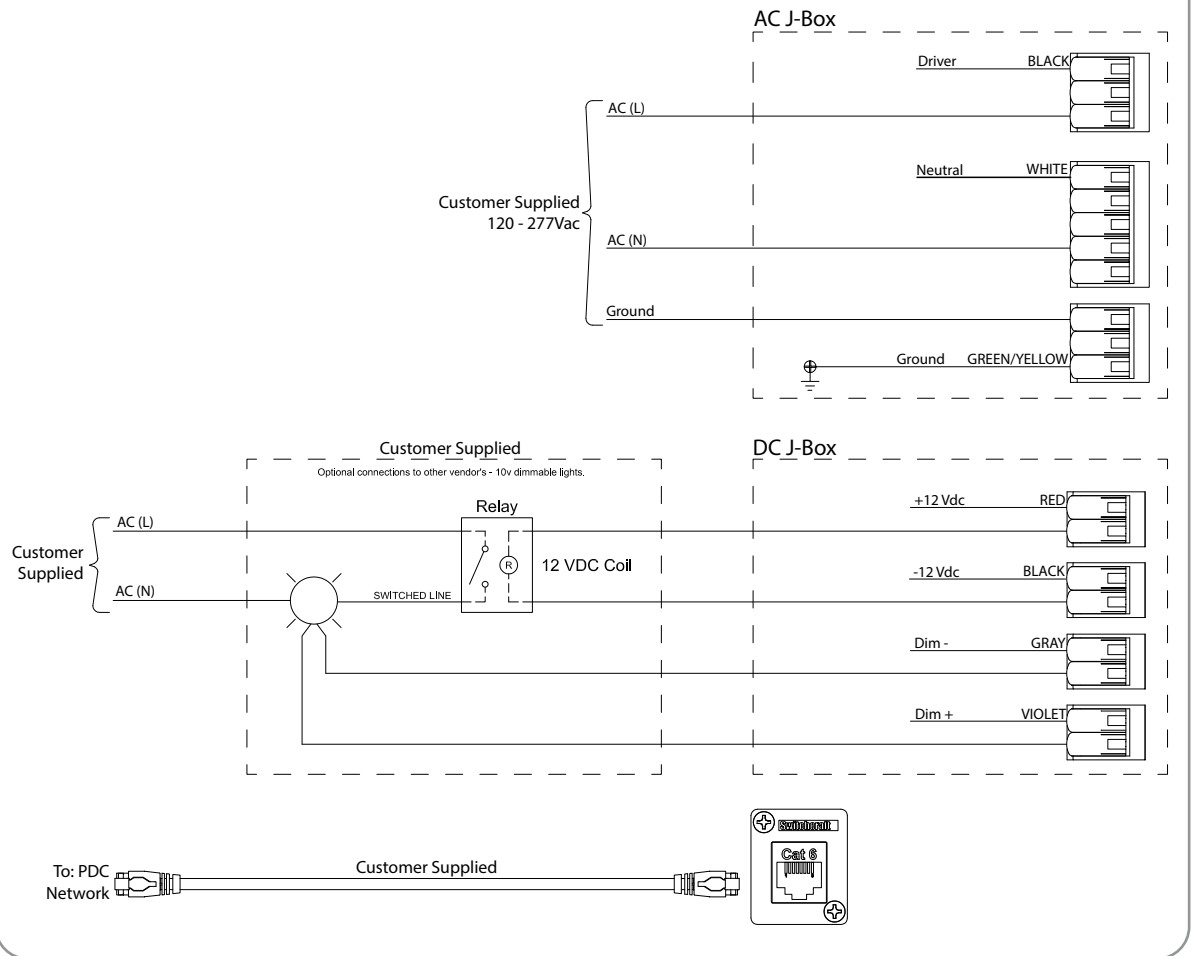
Step 1:

Remove the Junction Box cover.

Step 2:

Using 90°C minimum rated wire connectors, make the following connections illustrated in Diagram 5.

Diagram 5 - Wiring Diagram



Directive 2012/19/EU (WEEE - Waste Electrical and Electronic Equipment): Information for Users

This product complies with EU Directive 2012/19/EU. The crossed out wheeled bin symbol on the article means that at the end of its useful lifespan, this product must not be disposed of with your other household or municipal waste. This product has required the extraction and use of natural resources for its production. It may contain hazardous substances that could impact health and the environment if not properly disposed. In order to avoid dissemination of those substances in our environment and to diminish the pressure on the natural resources, the user is responsible for delivering the appliance to an appropriate collection facility at the end of its useful lifespan. The separate collection and recycling of your waste equipment at the time of disposal will help conserve natural resources and ensure that it is recycled in a manner that protects human health and the environment. For more information on available collection facilities contact your local waste collection service or the place of purchase.