

LED Warm White Can Light

MRI Compatible

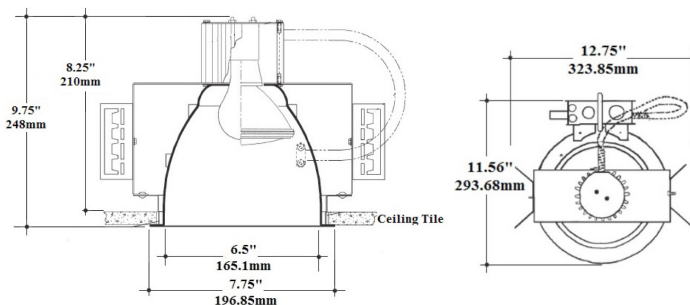


Product Description

The LED Warm White Can Light is designed for MRI suite applications with a non-ferrous assembly that can be mounted within the MRI room. The can light has a Non-IC rating and can be installed in various recessed applications. Contains no on-board electronics therefore will not interfere with MRI imaging. Certified to meet MRI vendor EMI requirements. MRI applications require EMI free emissions for specific frequency bands. All drive circuitry employs linear regulation and no pulse width modulation (PWM*).

Performance Summary

Limited Warranty: 3 years
 Lifetime: Designed to last 50,000 hours
 Dimming: Linear

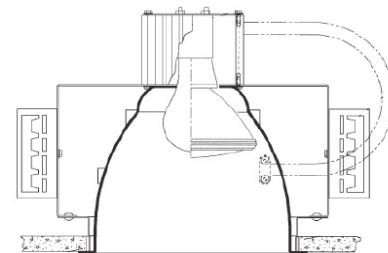


1-07-000017

DC Wiring

1-07-000023

Ethernet Wiring



Mechanical

| | Minimum | Typical | Maximum | Units |
|----------------|---------|-----------------------------|---------|--------|
| Material | - | Aluminum and Brass Hardware | - | - |
| Lamp Type | - | A21 and PAR38 | - | - |
| Dimensions | - | 11.56 x 12.75 x 9.75 | - | inches |
| Socket Type | - | E26 | - | - |
| Fixture Weight | - | 2.7 | - | lbs |

Electrical

| | Minimum | Typical | Maximum | Units |
|---------------|---------|---------|---------|-------|
| Input Voltage | - | - | 120 | Vac |
| Input Power | - | - | 50 | W |

Compliance

| | Minimum | Typical | Maximum | Units |
|--------|---------|---------|---------|--------------|
| IP | - | 25 | - | Dry Location |
| ETL/UL | - | Listed | - | UL 8750/2108 |
| RoHS | - | Pending | - | 2011/65/EU |

Environmental

| | Minimum | Typical | Maximum | Units |
|-----------------------|---------|---------|---------|-------|
| Storage Temperature | -40 | 25 | 85 | C |
| Operating Temperature | -20 | 25 | 35 | C |
| Humidity | 5 | - | 95 | % |
| Lifespan | 50000 | - | - | Hours |
| Warranty | 3 | - | - | Years |

Installation Notes

A PDC RF Filter is required for proper operation in the MRI suite
 A PDC Power Supply is required for proper operation in the MRI suite
 *PWM is known to cause image artifacts, audible noise and light flicker



700 Walnut Ridge Drive
 Hartland, WI 53029
 Phone: 262-367-7700
 Web: www.pdcbiz.com
 Email: pdcbiz@pdcbiz.com

© 2016 PDC Facilities, Inc. All rights reserved.
 For informational purposes only. Content is subject to change.

Date Revised: 2017.04.05